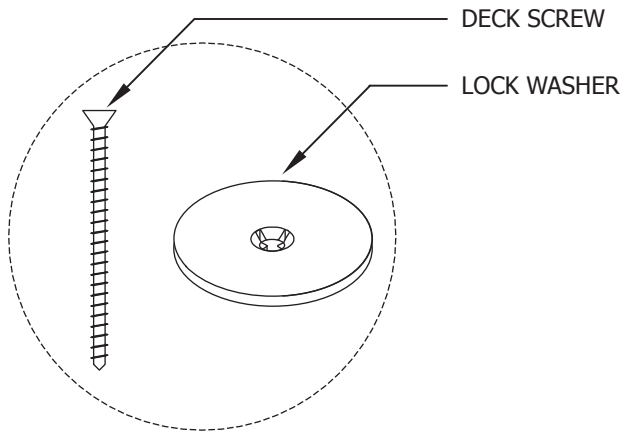


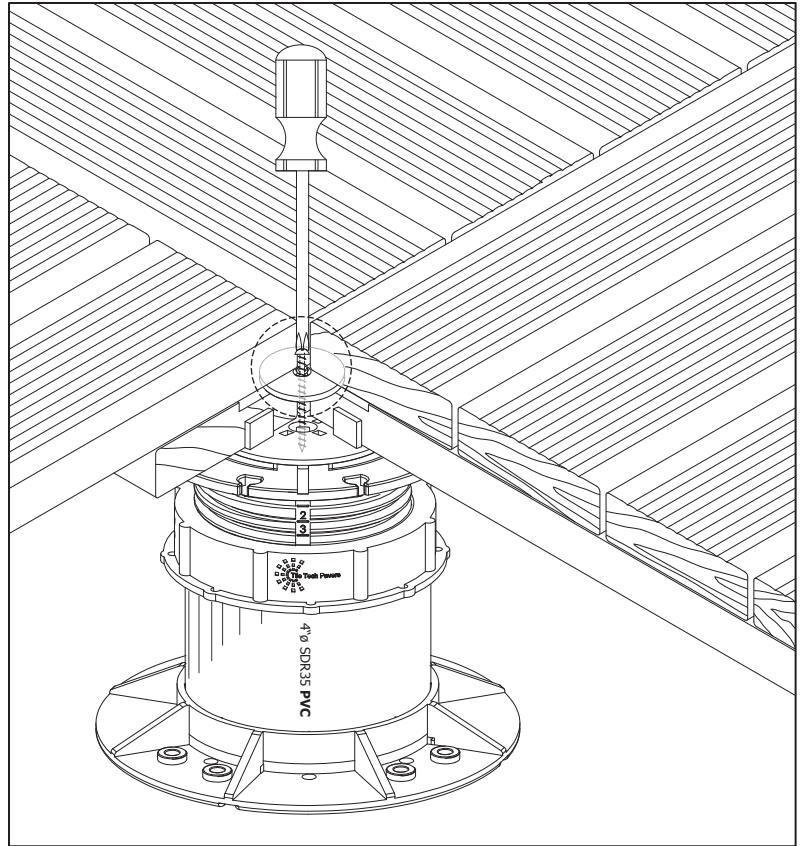
WOOD TILE & PEDESTAL APPLICATION

TRANSITION, ALIGNMENT & LOCK DOWN DETAILS

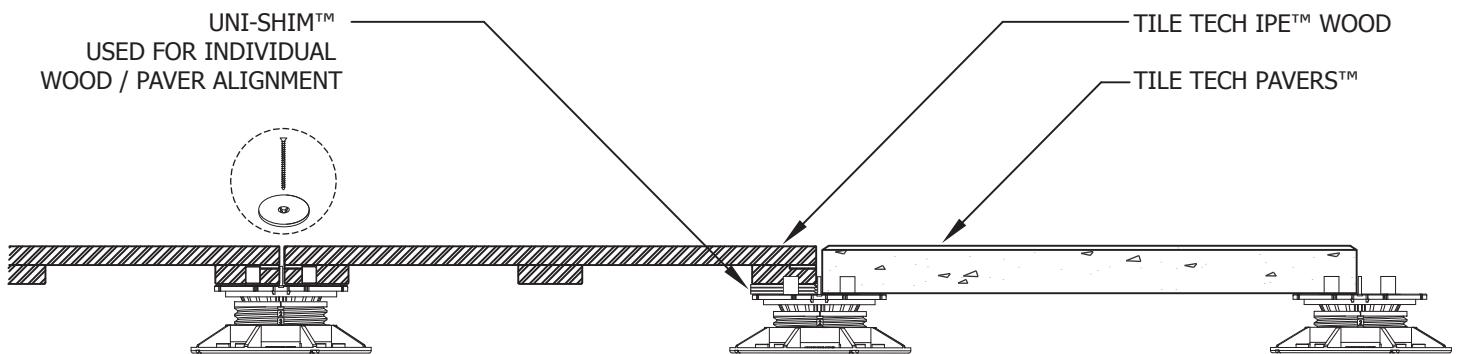
National Distribution Tel: 213-380-5560
 Toll Free: 888-380-5575 Fax: 213-380-5561



INSERT THE LOCK WASHER IN TO THE KURF CUT BETWEEN THE UPPER SLAT AND BOTTOM RAIL OF 3 WOOD PAVERS. INSERT THE 4th PAVER IN TO THE 4th CORNER. ONCE ALL 4 PAVERS ARE TIGHTLY IN PLACE INSERT SCREW THROUGH LOCK WASHER AND HAND TIGHTEN IN TO PEDESTAL TOP UNTIL ALL 4 PAVERS ARE SECURELY FASTENED TO THE PEDESTAL. DO NOT OVER TIGHTEN.

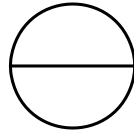


IPE WOOD & PAVER TRANSITION AND ALLIGNMENT



GENERAL NOTES: APPLY TO ALL OF THE ABOVE PRODUCTS

1. INSTALLATION MUST BE COMPLETED IN ACCORDANCE WITH TILE TECH PAVERS PRODUCT SPECIFICATIONS.
2. DRAWING NOT TO SCALE.
3. USE OF BUFFER PADS IS MANDATORY.
4. CONTRACTOR'S NOTE: FOR PRODUCT AND COMPANY INFORMATION VISIT www.TILETECHPAVERS.com

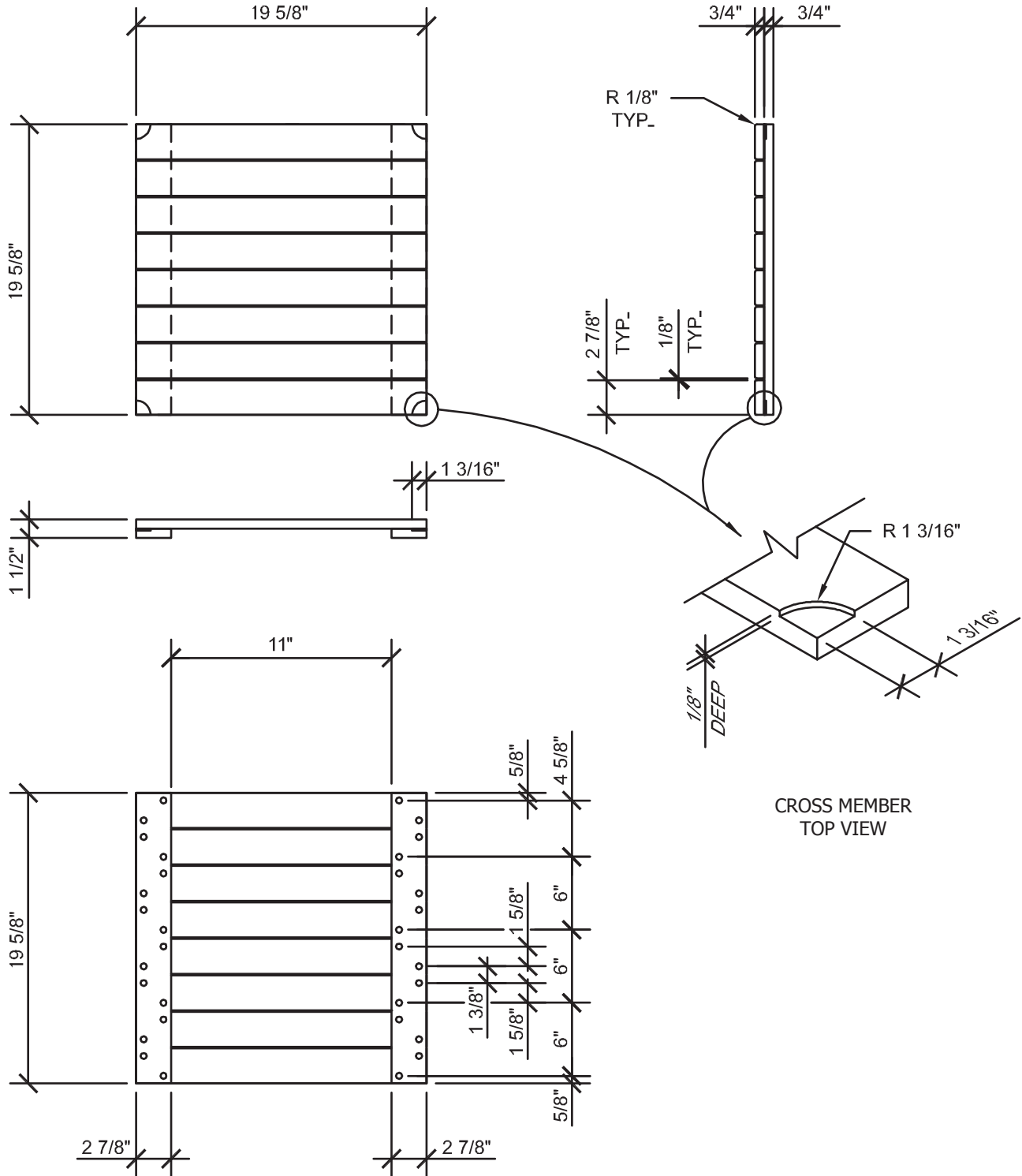


IPE WOOD TILES DETAILS

20" x 20" x 1-1/2"

National Distribution
Toll Free: 888-380-5575

Tel: 213-380-5560
Fax: 213-380-5561

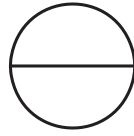


CROSS MEMBER TOP VIEW

- GENERAL NOTES: APPLY TO ALL OF THE ABOVE PRODUCTS
1. INSTALLATION MUST BE COMPLETED IN ACCORDANCE WITH TILE TECH PAVERS PRODUCT SPECIFICATIONS.
 2. DRAWING NOT TO SCALE.
 3. CONTRACTOR'S NOTE: FOR PRODUCT AND COMPANY INFORMATION VISIT WWW.TILETECHPAVERS.COM



Tile Tech Pavers
Paving America one step at a time!

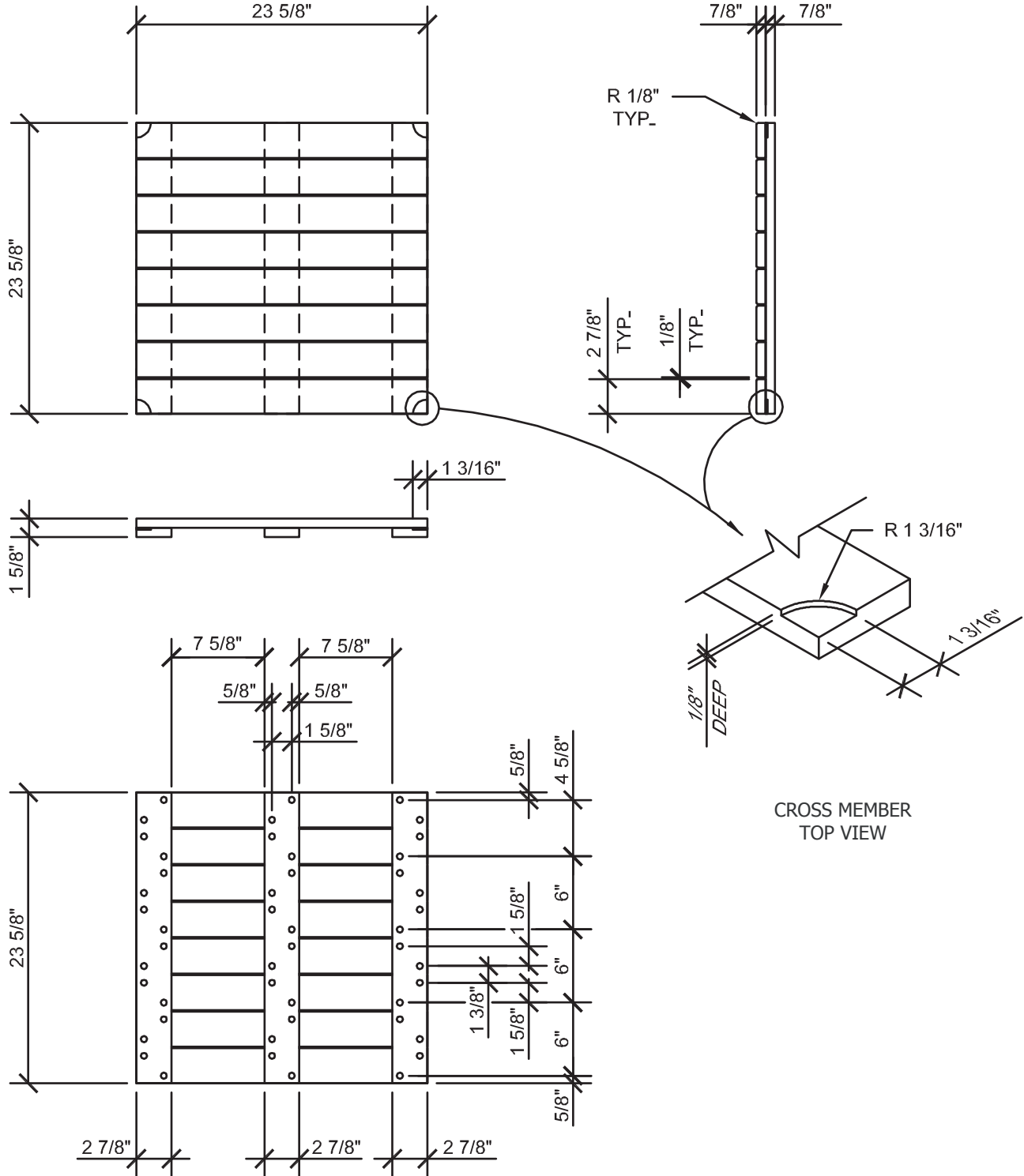


IPE WOOD TILES DETAILS

24" x 24" x 1-5/8"

National Distribution
Toll Free: 888-380-5575

Tel: 213-380-5560
Fax: 213-380-5561

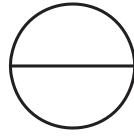


GENERAL NOTES: APPLY TO ALL OF THE ABOVE PRODUCTS

1. INSTALLATION MUST BE COMPLETED IN ACCORDANCE WITH TILE TECH PAVERS PRODUCT SPECIFICATIONS.
2. DRAWING NOT TO SCALE.
3. CONTRACTOR'S NOTE: FOR PRODUCT AND COMPANY INFORMATION VISIT WWW.TILETECHPAVERS.COM



Tile Tech Pavers
Paving America one step at a time!



IPE WOOD TILES DETAILS

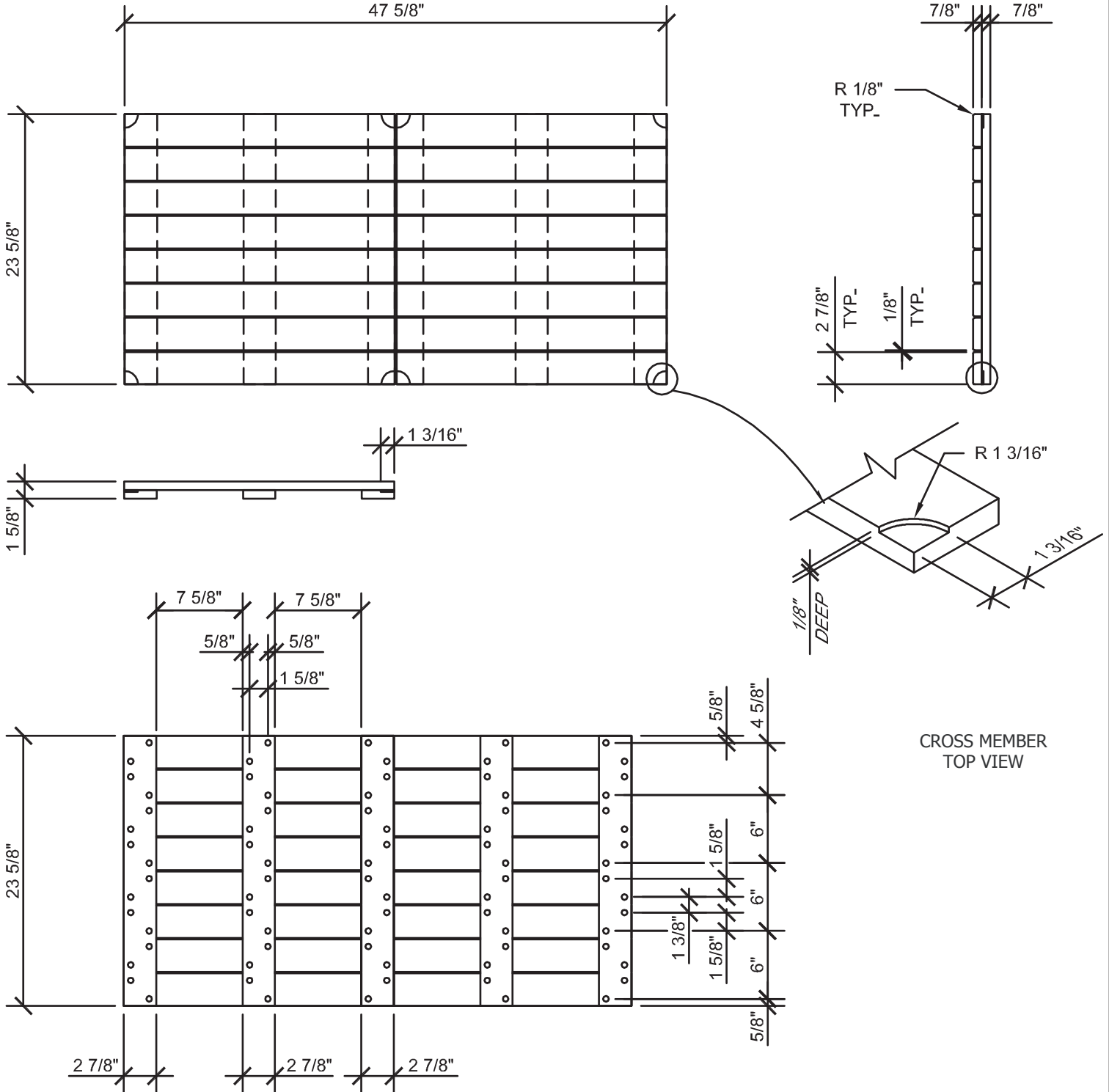
24" x 48" x 1-5/8"

National Distribution

Tel: 213-380-5560

Toll Free: 888-380-5575

Fax: 213-380-5561



CROSS MEMBER TOP VIEW

GENERAL NOTES: APPLY TO ALL OF THE ABOVE PRODUCTS

1. INSTALLATION MUST BE COMPLETED IN ACCORDANCE WITH TILE TECH PAVERS PRODUCT SPECIFICATIONS.
2. DRAWING NOT TO SCALE.
3. CONTRACTOR'S NOTE: FOR PRODUCT AND COMPANY INFORMATION VISIT WWW.TILETECHPAVERS.COM